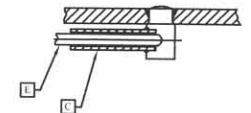
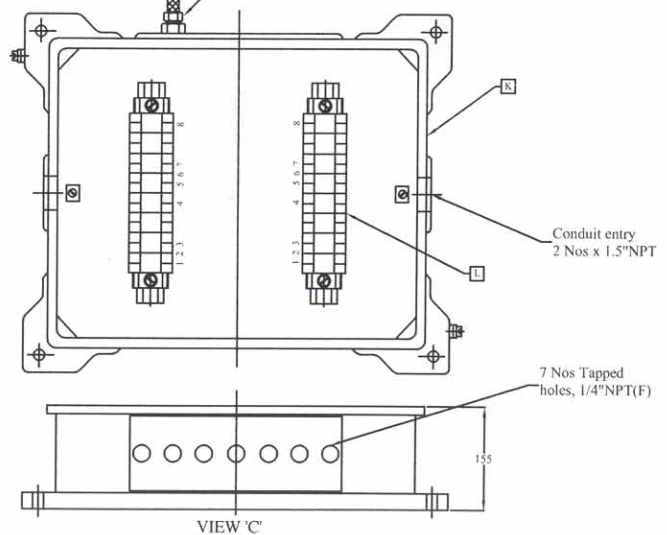


SECTION A-A



DETAIL A'-A'

VIEW 'C'



MODEL NO
905 SERIES-7-2-E-6-316-9-JD-2-F-N=6000-321-F-F321-U=2350-
U1=510-T=80-P=3"1500#RTJ-OPTION 15
U2=810
U3=1110
U4=1410
U5=1710
U6=2010
U7=2310

SRL	PARTS IDENTIFICATION
A	Flange-3"1500#RTJ, A182, F321
B	Thermowell Pipe Size - 1.5"Sch80, OD=48.3, ID=38.14,94, W/T=5.08, 321SS
C	Guide tube - 9x7, 316SS
D	Contact Plug/bush, 316SS
E	Thermocouple, 2-E-6-316
F	Tube connector Ø9 x Ø6, 316SS
G	Crimp on pot, 304SS
H	Connector for Flexhose, 304SS
I	Flex hose, 304SS, 6M Long
J	Gland, 1/4"NPT, 304SS
K	Junction Box, IP:65-IS:2147, Cast Aluminium
L	Terminal Strip (total 32 terminals)



**Thermal Resources Management (TRM) Limited.**

Unit 21, Sedling Road, Wear Ind Est, Washington, NE38 9BZ United Kingdom.

Tel No. : +44 (0)191 4168884 , Fax No. : +44 (0)191 4192345 , Website : www.trmltd.co.uk